

KN NONFLAME WIRE-WOUND RESISTOR

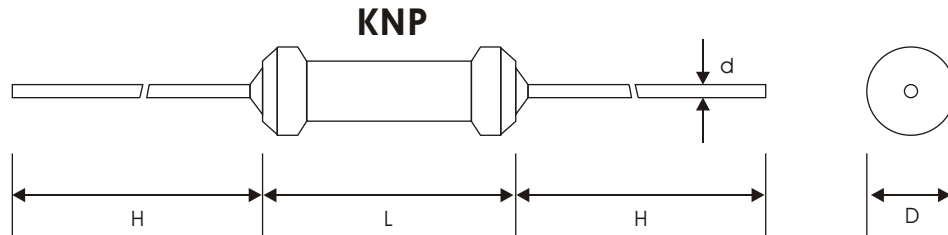
KN Series

INTRODUCTION :

- ◆ Excellent flame resistance.
- ◆ Non-inductive types available.
- ◆ Colorcoating is in "Green".
- ◆ Deal for use in computers, communication equipments.

- ◆ Ideal for use in Power suppliers, Process control instrumentation, Tool low or too high ohmic value supplier only case by case.

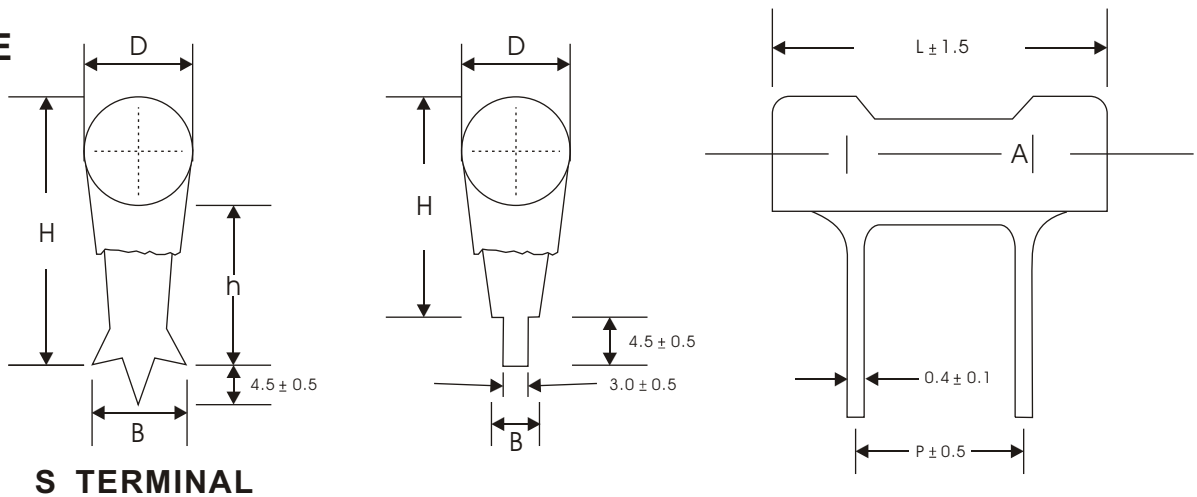
KNP TYPE



STYLE	NORMAL SIZE			
	D max.	L max.	H±3	$d^{+0.02}_{-0.05}$
KNP - 1W	5	12	28	0.7
KNP - 2W	5.5	16	28	0.8
KNP - 3W	6.5	17.5	28	0.8
KNP - 5W	8	25	38	0.8
KNP - 7W	8	30	38	0.8
KNP - 8W	8	40	38	0.8
KNP - 9W	8	53	38	0.8
KNP - 10W				

STYLE	SMALL SIZE				RESISTANCE RANGE
	D max.	L max.	H±3	$d^{+0.02}_{-0.05}$	
	4	10	28	0.6	0.1Ω ~ 50Ω
	5	12	28	0.7	0.1Ω ~ 120Ω
	5.5	16	28	0.8	0.1Ω ~ 200Ω
	6.5	17.5	28	0.8	0.1Ω ~ 470Ω
	8	25	38	0.8	0.5Ω ~ 560Ω
	8	30	38	0.8	1Ω ~ 1.5 KΩ
	8	40	38	0.8	1Ω ~ 1.5 KΩ
	8	53	38	0.8	1Ω ~ 2 KΩ

KNS TYPE



S TERMINAL

STYLE	DIMENSION (mm)						RESISTANCE RANGE
	D max.	$L \pm 1.5$	$P \pm 0.5$	$H \pm 1.0$	$H \pm 1.0$	$B \pm 0.5$	
KNS - 2W	5.5	16	8	19	12	4.5	0.1Ω ~ 50Ω
KNS - 3W	6.5	16	10	19	13	4.5	0.1Ω ~ 200Ω
KNS - 5W	8.5	24	15	21.5	13	6	0.5Ω ~ 560Ω
KNS - 7W	8.5	30	20	21.5	13	6	1Ω ~ 1 K Ω
KNS - 8W	8.5	40	30	21.5	13	6	1Ω ~ 1.5 KΩ
KNS - 10W	8.5	53	43	21.5	13	6	1Ω ~ 2 K Ω